



## TS4161 - Wireless 16" Synchronized Analog Clock



The **TS4161 Wireless 16" Synchronized Analog Clock** is designed with an easy-to-read dial face, durable frame and tamper-proof glass lens.

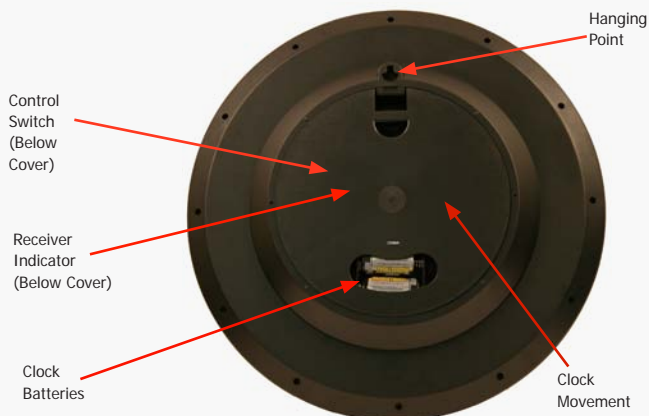
The TS4161 receives a wireless time signal transmitted daily by a main wireless paging controller, such as the **VS4800**. The TS4161 uses the time signal to automatically adjust itself, if necessary, to ensure accurate and synchronized time throughout the entire facility.

The TS4161 does not require any wiring and is ideal for renovation projects and new installations.

The TS4161 matches a wide variety of applications and provides years of maintenance-free service.

### Key Features:

- Viewing Distance of 150'
- Automatic Daylight Saving Time Adjustment
- Tamper-Proof Glass Lens
- Quick Correction for Time Change (1-3 Minutes)
- Flush Mount (Does Not Require Back Box)
- Battery Operated (Optional AC Power Adaptor)
- Customized Logo Option



### Options, Accessories and Complementary Products:

| Part Number | Description   |
|-------------|---|
| TS-OPT-003  | 24-Hour Clock Face  |
| TS-OPT-004  | Customized Analog Clock Face  |
| TS-OPT-005  | Sealed Analog Clock   |
| TS-OPT-007  | 110 V AC Adaptor (Replaces Original Clock Batteries, Requires 1.5" Minimum Recessed Power Outlet) |
| TS-OPT-011  | Red Second Hand   |

### Specifications:

|                       |  |                      |  |
|-----------------------|--|----------------------|--|
| Dimensions            | 16" x 1.65" (W x D)  | Dial Face            | 14", White   |
| Weight                | 2.20 lbs.  | Frequency            | VHF (148 - 174 MHz), UHF (400 - 470 MHz)           |
| Power                 | Two C Sized Batteries<br>Optional AC Power (AC-DC Adaptor) | Paging Format        | POCSAG, Narrow Band                                |
| Operating Temperature | 32° - 120°F  | Synchronization      | 1 Time/Day (Optional 6 Times/Day, User Selectable) |
| Humidity              | 0% - 95%, Non-Condensing                                   | Receiver Sensitivity | 10u V/M  |
| Frame and Lens        | Durable Polycarbonate Frame, Glass Lens                    | Limited Warranty     | One Year Parts and Labor                           |
| Viewing Distance      | 150 ft.  |                      |  |

\*Specifications Are Subject to Change Without Notification