



VNS2083 - High-Power Public Address Speaker



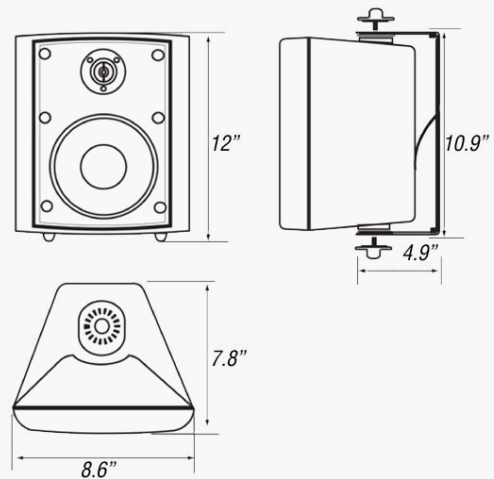
The **VNS2083 High-Power Public Address Speaker** is designed to provide intelligible voice paging and tone signaling for indoor and outdoor bell and public address system applications.

The VNS2083 is controlled by the **VNS2200** wireless audio/visual controller. This makes it an ideal solution for applications where a hard-wired speaker is impractical, or when a simple, reliable and cost-effective alternative solution is required when being compared to traditional wired PA systems.

The VNS2083 includes a mounting bracket.

Key Features:

- **Weather-Resistant Design for Indoor and Outdoor Installations**
- **Up to 60W Continuous Power**
- **6.5" 2-Way Speaker System**
- **Impact Resistant Enclosure**
- **Robust Mounting Clamps**
- **Swivel-Mount Bracket**
- **Speaker Cable can Extend Up to 150' from Controller**



Options, Accessories and Complementary Products:

Part Number	Description
VNS2200	Wireless Audio/Visual Controller

Specifications:

Dimensions	8.6" x 12" x 7.8" (W x H x D)	Frequency Response	35 Hz - 19 KHz
Weight	7.55 lbs.	Sound Level	91 dB @ 1 meter
Power	60 Watts Continuous, 125 Watts peak	Impedance	6 Ohms
Color	White	Speaker Cable	16 Gauge, 3' Supplied, Up to 150' Extension
Frame	ABS and Aluminum Anodized Grill	Mounting	Wall or Ceiling, 180° Swivel Mounting Bracket
Operating Temperature	14° - 130°F	Limited Warranty	One Year Parts and Labor
Humidity	0% - 95%, Non-Condensing		

*Specifications Are Subject to Change Without Notification