



VNS2088 - High-Power Public Address Horn Speaker



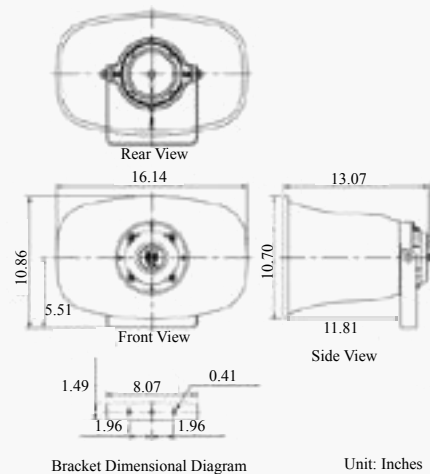
The **VNS2088 High-Power Public Address Horn Speaker** is designed to provide intelligible voice paging and tone signaling for outdoor bell and public address system applications.

The VNS2088 is controlled by the **VNS2200** wireless audio/visual controller. This makes it an ideal solution for applications where a hard-wired speaker is impractical, or when a simple, reliable and cost-effective alternative solution is required when being compared to traditional wired PA systems.

The VNS2088 includes a mounting bracket.

Key Features:

- **Weatherproof Design for Indoor and Outdoor Installations**
- **Up to 50W Continuous Power**
- **Lightweight, Sealed, ABS Enclosure**
- **Swivel-Mount Bracket**
- **Speaker Cable can Extend Up to 150' from Controller**



Options, Accessories and Complementary Products:

Part Number	Description
VNS2200	Wireless Audio/Visual Controller

Specifications:

Dimensions	16.9" x 10.8" x 14.1" (W x H x D)	Frequency Response	200 Hz - 8 KHz
Weight	8.05 lbs. (9.2 lbs. shipping weight)	Sound Level	110 dB @ 1 meter
Power	50 Watts Continuous, 70 Watts peak	Impedance	8 Ohms
Color	Off-White	Speaker Cable	20 Gauge, 3' Supplied, Up to 150' Extension
Frame	ABS Horn Flare, ABS Resin Reflector	Mounting	Wall or Ceiling, Swivel Mounting Bracket
Operating Temperature	-4° - 131°F (-20° - 55°C)	IP Rating	IP65
Humidity	20% - 95% R.H.	Limited Warranty	One Year Parts and Labor

*Specifications Are Subject to Change Without Notification